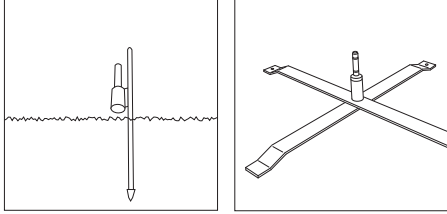


# FLYING BANNERS

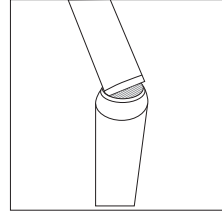
## Feather & Blade

### INSTRUCTION SHEET

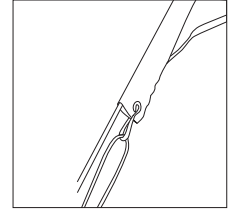


- 1** Hammer the sharpened end of the ground stake into the ground or unfold the hard surface stand.

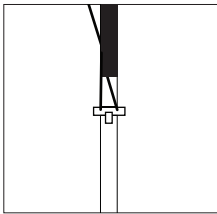
Tip: To allow the banner to rotate in the wind leave a 2" ground clearance. (see below)



- 2** Connect the poles by inserting each small pole into the next larger size pole.

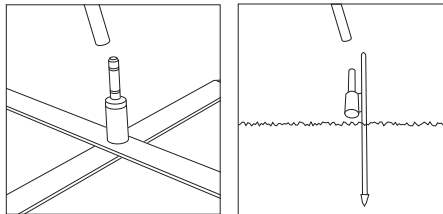


- 3** Slide the sleeve over the pole until tight. Make sure tip of pole is at the end of the sleeve.



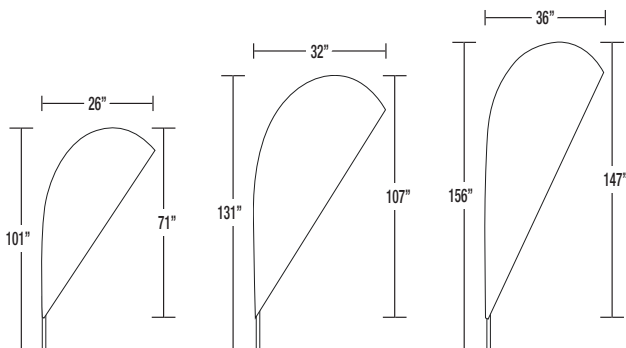
- 4** Attach the banner clip to the attachment point on the large pole.

Note: To help reduce wrinkles and create optimal banner tension, you may need to tighten or loosen the bungee.



- 5** Slide the pole over the post on the stand.

#### TEARDROP



#### BOW FLAG

