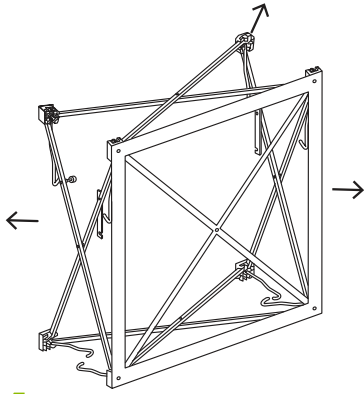
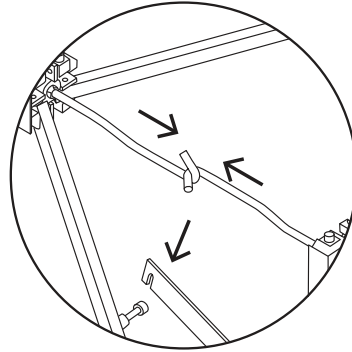


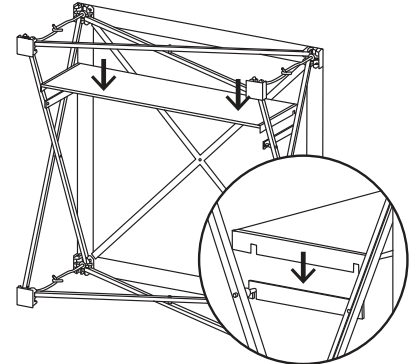
## INSTRUCTION SHEET



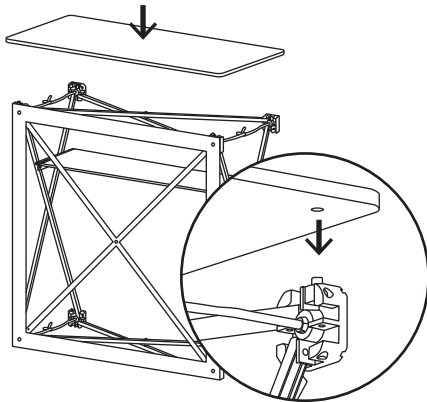
- 1** Remove frame from nylon bag and stretch open.



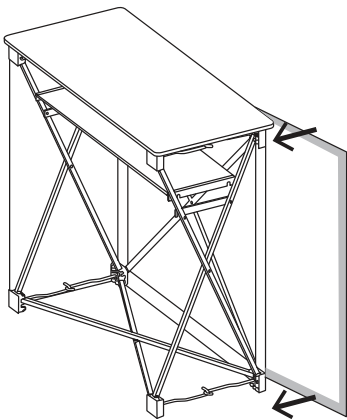
- 2** Connect top and bottom hooks on both sides. Fit shelf stabilizing bar over peg of opposite leg on both sides.



- 3** Secure shelf notches over pegs and pivot points.



- 4** Secure podium counter over pegs on top corners of plastic junctions.



- 5** Attach fabric cover to podium frame with Velcro sewn to edges.

